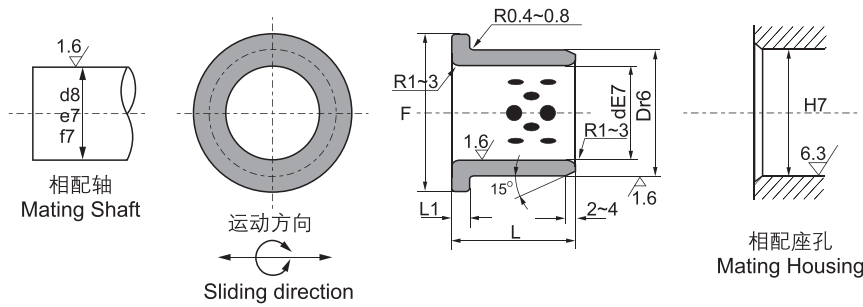


JLB-F 固体润滑轴套翻边标准公制尺寸 JLB-F Solid-Lubricant Flange Bushing Standard Metric Size



单位Unit: mm

d	D	d E7		D r6		F	L ₁	L ^{-0.10} _{-0.30}										
								15	20	25	30	35	40	50	60	80	100	
10	14	10	+0.040 +0.025	14	+0.034 +0.023	22	2	1015	1020									
12	18	12		18		25	3	1215	1220									
13	19	13		19		26		1315	1320									
14	20	14	+0.050 +0.032	20		27		1415	1420	1425								
15	21	15		21	+0.041 +0.028	28	5	1515	1520	1525	1530							
16	22	16		22		29		1615	1620	1625	1630							
20	30	20		30		40			2020	2025	2030	2035						
25	35	25	+0.061 +0.040	35		45	7.5		2520	2525	2530	2535	2540					
30	40	30		40	+0.050 +0.034	50			3020	3025	3030	3035	3040	3050				
35	45	35		45		60				3525	3530	3535	3540	3550				
40	50	40	+0.075 +0.050	50		65	10				4030	4035	4040	4050				
45	55	45		55		70					4530	4535	4540	4550	4560			
50	60	50		60	+0.060 +0.041	75						5035	5040	5050	5060			
55	65	55		65		80	10					5540	5550	5560				
60	75	60		75	+0.062 +0.043	90						6040	6050	6060	6080			
70	85	70	+0.090 +0.060	85		105							7050	7060	7080			
75	90	75		90	+0.073 +0.051	110	10						7550	7560	7580	75100		
80	100	80		100		120									8060	8080	80100	
90	110	90		110	+0.076 +0.054	130									9060	9080	90100	
100	120	100	+0.107 +0.072	120		150	10							10060	10080	100100		
120	140	120		140	+0.088 +0.063	170									12060	12080	120100	

Self-lubricating Bushes
自润滑轴套

Email: jlbearing@hotmail.com
Website: www.jlb-bearing.com

Tel: 0573-84822580
Fax: 0573-8482255