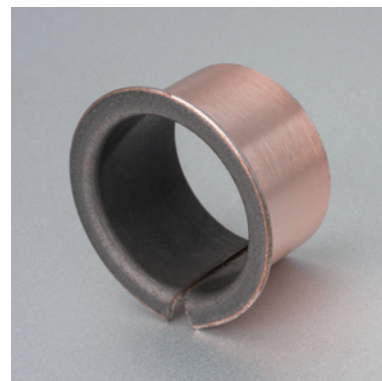
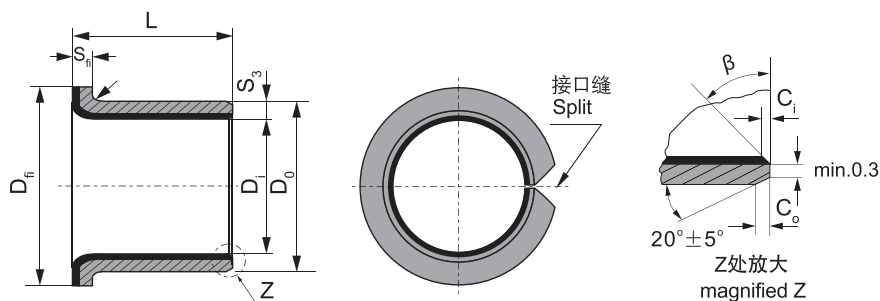


JLB-1F 翻边轴套规格及公差 JLB-1F Flange Bushing Specification & Tolerance



S ₃	1.0	1.5	2.0	2.5
r	1 ^{-0.5}	1 ± 0.5	1.5 ± 0.5	2 ± 0.5

单位Unit: mm

轴径(f7) Shaft D _s	座孔(H7) Housing D _H	(OD) 外径公差 Tolerance D _o	(ID)压装后 内孔公差 After fixed D _{ia}	配合间隙 Clearance C _o	Designation 型号规格	Wall thickness 壁厚 S ₃	尺寸 Dimension				
							D _i	D _o	D _{fi} ± 0.5	L ± 0.25	S _{fi} -0.2
6 -0.013 -0.028	8 +0.015	8 +0.055 +0.025	6.055 5.990	0.077 0.000	JLB-1F06040	1.005 0.980	6	8	12	4	1
					JLB-1F06070					7	
8 -0.013 -0.028	10 +0.015	10 +0.055 +0.025	8.055 7.990	0.083 0.003	JLB-1F08055	1.005 0.980	8	10	15	5.5	1
					JLB-1F08075					7.5	
10 -0.016 -0.034	12 +0.018	12 +0.055 +0.025	10.058 9.990	0.086 0.003	JLB-1F10070	1.005 0.980	10	12	18	7	1
					JLB-1F10090					9	
					JLB-1F10120					12	
12 -0.016 -0.034	14 +0.018	14 +0.065 +0.030	12.058 11.990	0.092 0.006	JLB-1F12070	1.005 0.980	12	14	20	7	1
					JLB-1F12090					9	
					JLB-1F12120					12	
					JLB-1F14120					12	
14 -0.016 -0.034	16 +0.018	16 +0.065 +0.030	14.058 13.990	0.092 0.006	JLB-1F14170	1.005 0.980	14	16	22	17	1
					JLB-1F15090					9	
					JLB-1F15120					12	
15 -0.016 -0.034	17 +0.018	17 +0.065 +0.030	15.058 14.990	0.092 0.006	JLB-1F15170	1.005 0.980	15	17	23	17	1
					JLB-1F16120					12	
					JLB-1F16170					17	
16 -0.016 -0.034	18 +0.018	18 +0.065 +0.030	16.058 15.990	0.092 0.006	JLB-1F18120	1.005 0.980	16	18	24	12	1
					JLB-1F18170					17	
					JLB-1F18200					20	
18 -0.016 -0.034	20 +0.021	20 +0.075 +0.035	18.061 17.990	0.095 0.006	JLB-1F20115	1.505 1.475	18	20	26	11.5	1.5
					JLB-1F20165					16.5	
					JLB-1F20215					21.5	
20 -0.020 -0.041	23 +0.021	23 +0.075 +0.035	20.071 19.990	0.112 0.010	JLB-1F22150	1.505 1.475	20	23	30	15	1.5
					JLB-1F22200					20	
					JLB-1F25115					11.5	
22 -0.020 -0.041	25 +0.021	25 +0.075 +0.035	22.071 21.990	0.112 0.010	JLB-1F25165	1.505 1.475	22	25	32	16.5	1.5
					JLB-1F25215					21.5	
					JLB-1F30160					16	
25 -0.020 -0.041	28 +0.021	28 +0.075 +0.035	25.071 24.990	0.126 0.010	JLB-1F30260	2.005 1.970	25	28	35	26	2
					JLB-1F35160					16	
					JLB-1F35260					26	
30 -0.025 -0.050	34 +0.025	34 +0.075 +0.035	30.085 29.990	0.135 0.015	JLB-1F40260	2.005 1.970	30	34	42	26	2
					JLB-1F40400					40	
					JLB-1F40400					40	